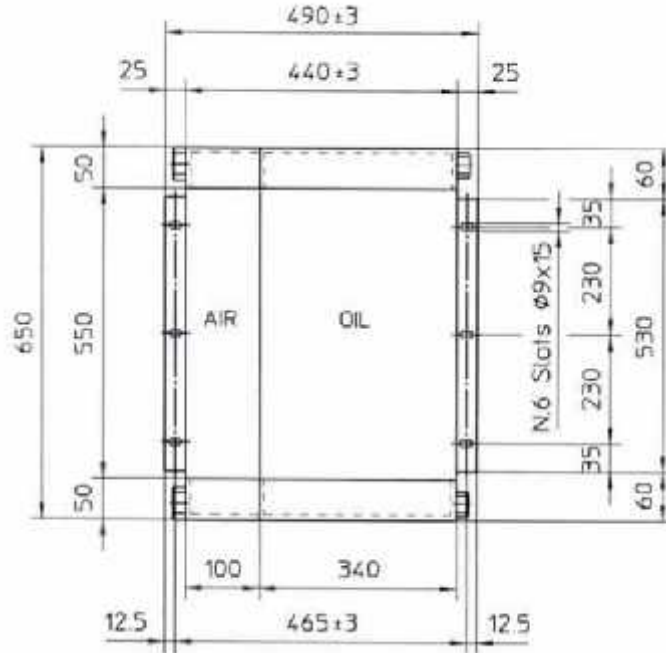


SPECIFICATION		OIL/Air after cooler
Order number		CC02
<b>Technical data(Standard values)</b>		
Compressor driving power	KW/HP	7.5/11/15
Oil cooling power	KW	6.2/12.5
Air cooling power	KW	1.1/2.2
Oil flow	Lit/min	20/28
Air flow	Nm <sup>3</sup> /min	1.2/2.5
Cooling Air flow	Kg/hr	850/1550
<b>Approximate cooler dimensions</b>		
Max working pressure	bar(g)/psig	26
Test Pressure	bar(g)/psig	40
Cooler weight approx.	Kg/lb	10.8
Fan speed	rpm	1390/2800
Fan diameter	mm/inch	300
Oil inlet temperature	°C/°F	Max 100
Air inlet temperature	°C/°F	Max 100
Ambient temperature	°C/°F	Max 45



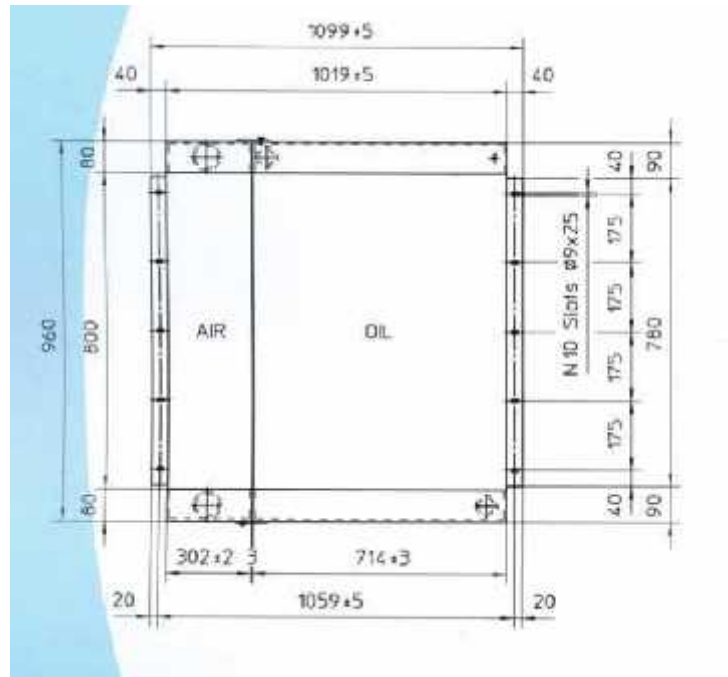
SPECIFICATION		OIL/Air after cooler
Order number		CC03
<b>Technical data(Standard values)</b>		
Compressor driving power	KW/HP	18/22
Oil cooling power	KW	15.6/18.7
Air cooling power	KW	2.7/3.2
Oil flow	Lit/min	33/40
Air flow	Nm <sup>3</sup> /min	2.9/3.6
Cooling Air flow	Kg/hr	3,400
<b>Approximate cooler dimensions</b>		
Max working pressure	bar(g)/psig	26
Test Pressure	bar(g)/psig	40
Cooler weight approx.	Kg/lb	15.4
Fan speed	rpm	1390
Fan diameter	mm/inch	400
Oil inlet temperature	°C/°F	Max 100
Air inlet temperature	°C/°F	Max 100
Ambient temperature	°C/°F	Max 45











SPECIFICATION		OIL/Air after cooler
Order number		CC08
<b>Technical data(Standard values)</b>		
Compressor driving power	KW/HP	90/110
Oil cooling power	KW	78/94
Air cooling power	KW	14/16
Oil flow	Lit/min	90/110
Air flow	Nm <sup>3</sup> /min	14/17
Cooling Air flow	Kg/hr	10,000
<b>Approximate cooler dimensions</b>		
Max working pressure	bar(g)/psig	26
Test Pressure	bar(g)/psig	40
Cooler weight approx.	Kg/lb	106.5
Fan speed	rpm	900
Fan diameter	mm/inch	730
Oil inlet temperature	°C/°F	Max 100
Air inlet temperature	°C/°F	Max 100
Ambient temperature	°C/°F	Max 45